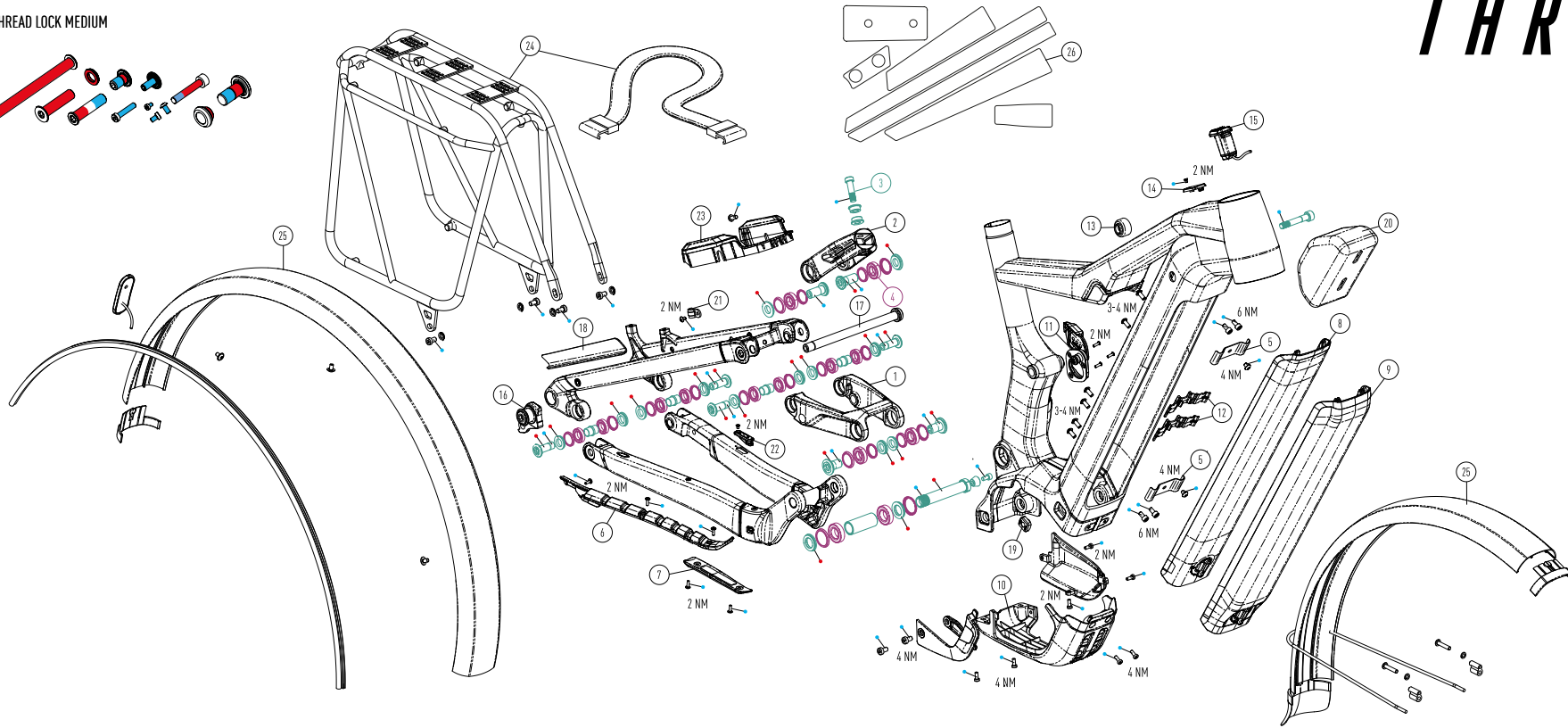
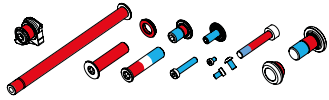


- GREASE
- THREAD LOCK MEDIUM



THRON² EQP

PP2504 | AL

POS	PART # SAP	PART NAME	QTY
1		MAIN LINK INKL. BEARINGS	1
2	237050400	SHOCK EXTENSION INKL. BEARINGS	1
3	39000220001	BOLT KIT	1
4	890001400	BEARING&SEALS KIT	1
5	237067200	CABLE ROUTING PART	2
6	222021400	CHAINSTAY PROTECTOR	1
7	222021000	LOWER CHAINSTAY PROTECTOR	1
8	998929000	BATTERY COVER 600WH	1
9	998930000	BATTERY COVER 800WH	1
10	998932000	MOTOR COVER SET	1
11	222021100	CHARGE PORT BRACKET	1
12	222020700	HIDDEN AIRTAG OR CHIPPOLO HOLDER	2
13	222020800	LOCK PLUG	1

14	222006700	COVER FOR CHARGEPORT HOLE	1
15	998043600	USB-C CHARGEPORT	1
16	224001900	UDH HANGER	1
17	361001700	THRU AXLE M12X1	1
18	222021900	SEAT STAY PROTECTOR	1
19	391492400	MOTOR MOUNT NUT	1
20	551000100	TOOL BAG (ONLY ? & ?)	1
21	998023700	SEATSTAY CABLE CLIP	1
22	222002500	SEATSTAY CABLE ROUTING PLUG	1
23	444022100	REAR LIGHT INKL. SCREWS	1
24	31303810002	CARRIER SET	1
25	31303810001	FENDERS + CARRIER SET	1
26	860986300	PROTECTION STICKER SET	1

MATERIAL	ALUMINUM 6061 T6
WHEELSIZE	29" / 15 X 110 - 29" / 12 X 148 / MAX TIRE 66 MM
TRAVEL	FRONT 150 MM - REAR 140 MM
SHOCK LENGTH	210 MM - STROKE 55 MM
HEADSET	ACROS ZS56/ZS66 (ICR), FOCUS C.I.S.
FORK	29" - LENGTH 570 MM - RAKE 44 MM
SEATPOST / SEATCLAMP	Ø34,9 MM - Ø38,5 MM - MINIMUM INSERT 100 MM
MAX SEATPOST INSERTION	S: 220 MM M: 250 MM L: 270 MM XL: 290 MM
REAR BRAKEMOUNT	POSTMOUNT Ø180 MM - MAX. ROTOR Ø225 MM
REAR AXLE	173 MM / Ø12 MM / PITCH 1,0
RD HANGER	SRAM UDH
CHAINRING	MIN CHAINRING SIZE: 34 / MAX CHAINRING SIZE: 36
CHAINLINE	55 MM
KICK STAND MOUNT	STANDARD 40MM
MOTOR	BOSCH PERFORMANCE CX
BATTERY	BOSCH 800 WH / 600 WH
REAR SHOCK SAG	SAG IN %: 30 / SAG IN MM: 16,5
MAX SYSTEM WEIGHT	150KG