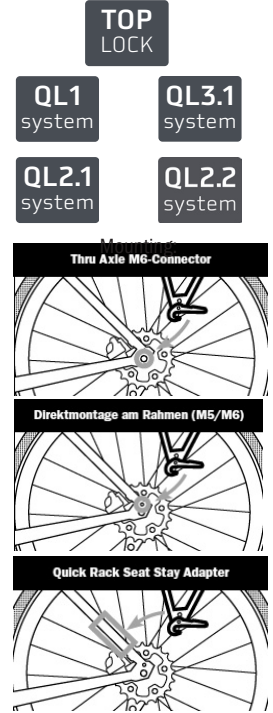
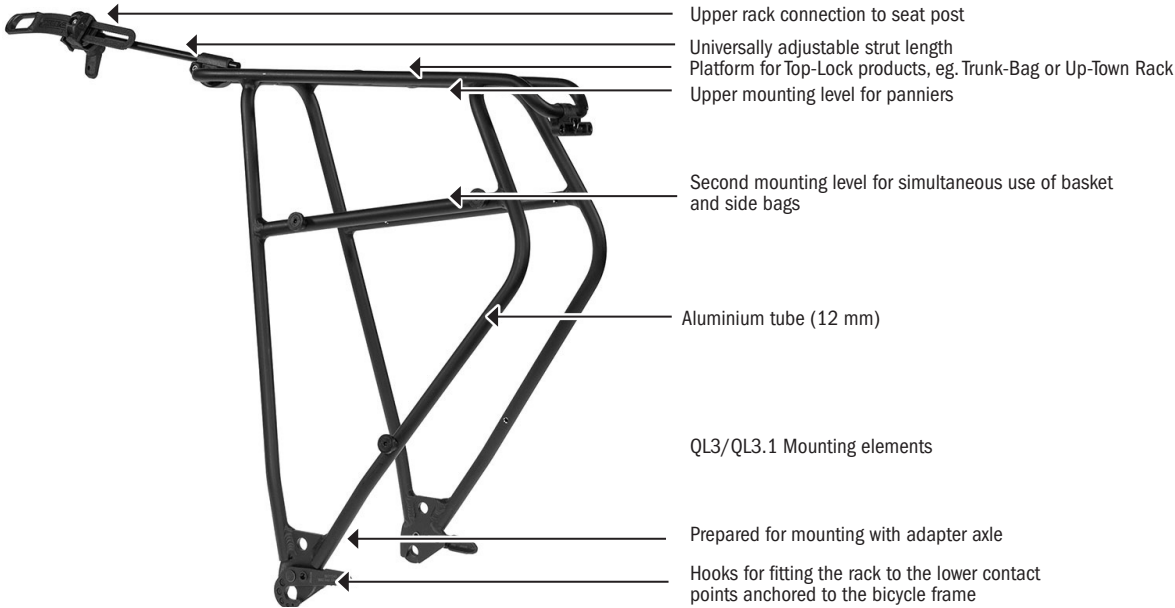


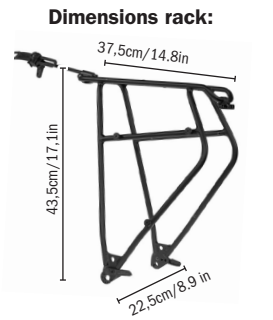
PRODUCT INFO

QUICK-RACK XL

Bike rack with quick release system for rapid installation and removal



Included in delivery:



| material | wheel size | tube diameter/mm | max. width/mm | weight g/oz | max. capacity kg/lbs |
|-----------|----------------|------------------|---------------|-------------|----------------------|
| Aluminium | max 29" x 2,6" | 10/12 | 195 | 780/27,5 | 26/ 57,3 |

SPECIFICATIONS:

- + Lightweight luggage carrier with quick release system for fast mounting and dismounting on the bike
- + 5/15 method, 15 seconds for mounting, 5 seconds for dismounting
- + Quick change from sporty bike to commuter bike
- + Leaves a clean bike, no fixed luggage rack
- + Can be used on carbon seat posts and carbon frames with M5 or M6 threads
- + Can be used on full-suspension bikes
- + Universally adaptable thanks to different strut lengths
- + Touring rack with two mounting levels, e.g. for simultaneous use of basket and side panniers
- + Enables direct attachment of all bags with QL1/2.1/2.2/3.1 and Top-Lock system
- + Integrated threads for direct mounting of QL3.1 snap-in knobs
- + Suitable for wheel sizes up to 29"/(2.6") when mounted via an adapter axle; up to 2.9"/3" when mounted directly or with Seat Stay Adapter
- + Horizontal and vertical struts with 12 mm tube diameter
- + Luggage carrier platform with 10 mm tube diameter
- + Incl. mounting kit; no additional mounting parts required
- + Preparation for optional rear light (light not included)
- + Maximum payload 26 kg

Contents: Rack with mounting material and additional extra long mounting stay (300 mm), Mounting bracket for optional rear light, QL3/QL3.1 mounting clamps

Optional accessory: Quick-Rack Mudguard 38 mm (F78107), 50 mm (F78108) and 72 mm (F78109), Quick-Rack Seat Stay Adapter (F78106); Thru Axle M6-Connector 1mm (F78112), 1,5mm (F78113), 1,75mm (F78114)*

Note: Follow mounting instructions

Note: For mounting the mudguard, we recommend using the cable ties included in the package on the front mounting bridge.

Attention: Rack is not suitable for mounting and using child seats; To prevent scratches and paint damage, please use frame protection film on the contact points.

*Licensed by Tailfin® for the use of a THRU AXLE M6-CONNECTOR with a QUICK-RACK L or XL in the US and the UK (Patent No.GB 2 542 644 and US 10,654,540)

