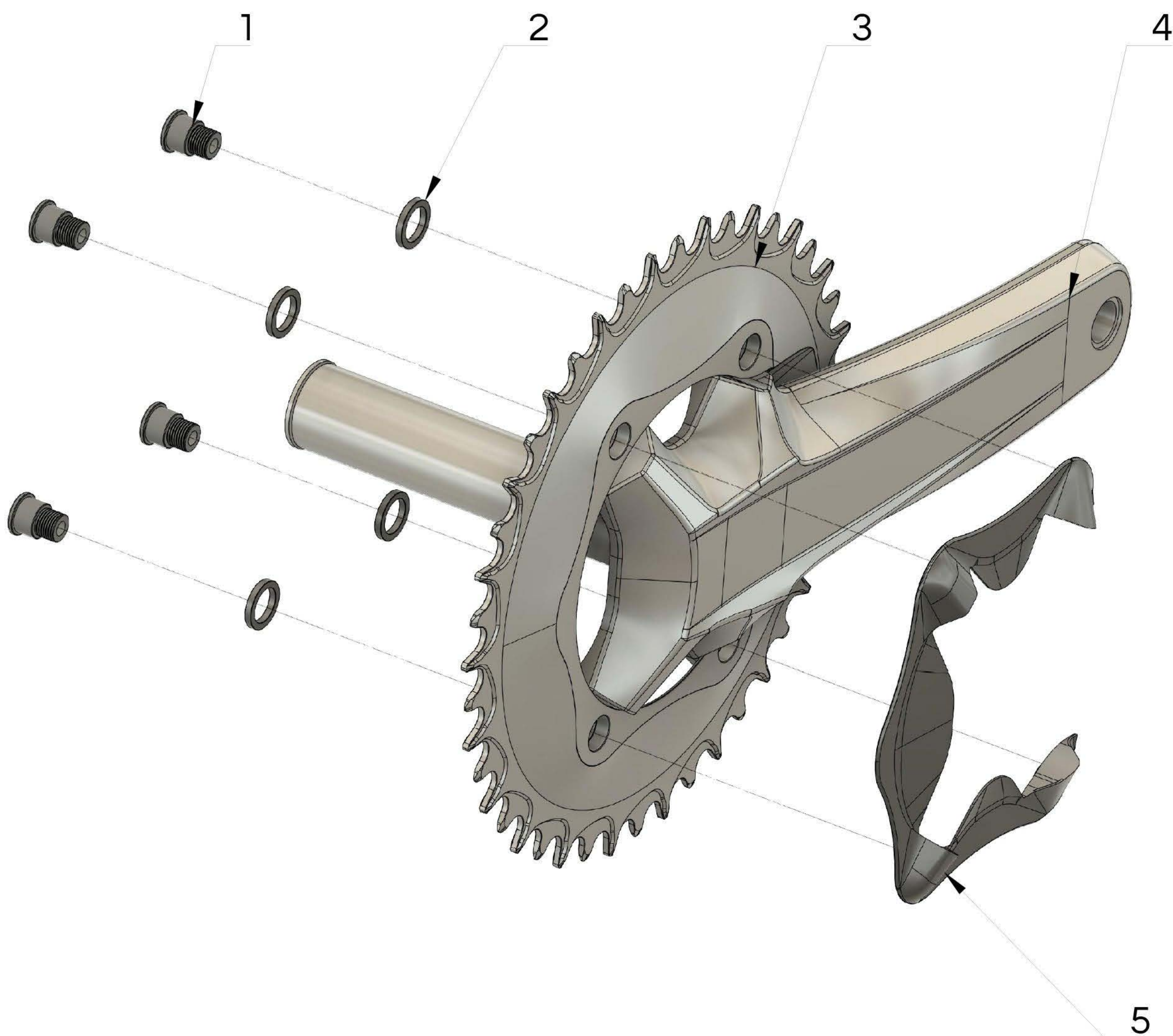


Mounting scheme for ALUGEAR 1X chainrings with AERO cover



Parts list

N°	Part	Qty.
1	Bolts for Covers	4
2	Spacers 2mm	4
3	Chainring	1
4	Crank	1
5	Cover	1

Installation of the ALUGEAR 1X chainrings and covers for Shimano 110 BCD Asymmetric Road 11 or 12 speed cranks:

1. Place a chainring from the outside of the crank spider.
2. Carefully place a cover on the outside of the chainring.
3. Install the spacers on the bolts.
4. Screw the bolts into a cover (the bolts pass through the holes of the crank spider, chainring, and are screwed into a cover).