

PRODUCT INFO

FORK-PACK

Waterproof fork bag with roll closure

QLS system
IP 64
PS21R
PS33
PVC free

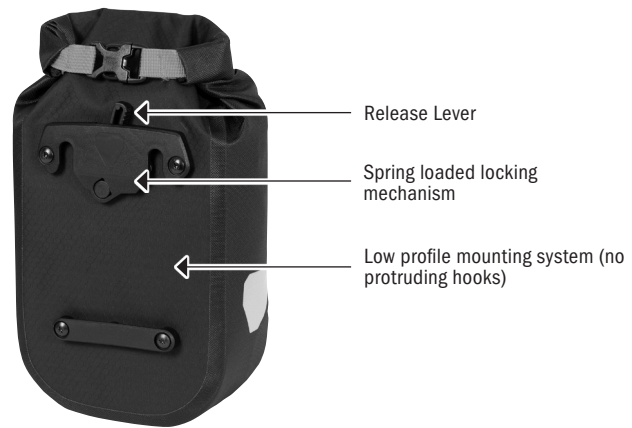


4,1 L

5,8 L



Quick-Lock S adapter plate incl. mounting accessories (included in delivery)



Quick-Lock S adapter system for bicycle forks with eyelets

Quick-Lock S adapter system for suspension forks

height cm/in.	width cm/in.	depth cm/in.	vol L/cu.in.	weight g/oz.	max. load kg/lbs
28/11.0	17,5/6.9	11/4.3	4,1/250	290/10.2 (adapter included)	3/6.6
30,5/12.0	19,5/7.7	13/5.1	5,8/350	315/11.1 (adapter included)	3/6.6

SPECIFICATIONS:

- + Ultralight, waterproof bag (single pocket) with roll closure
- + The Fork-Pack is primarily designed for attachment to bicycle forks, but it can be mounted on non-tapered vertical tubes with a consistent diameter, e.g. Kick Style Scooters
- + Abrasion resistant PU-coated nylon fabric
- + Allows additional luggage to be carried on bikes using the Quick-Lock S (QLS) adapter system
- + Adapter is compatible with forks with eyelets and tubes with constant diameter from 30 mm to 42 mm
- + The Quick Lock S mounting bracket may be bolted directly to a forks with „braze-on“ eyelets or attached to vertical tubes using the supplied band-clamps. For carbon forks, only direct mounting is possible.
- + The three mounting points of the QL-S adapter follow the industry standard for fork eyelets and are approx. 64mm apart
- + Ultra fast installation, with one click the bag snaps in to place
- + The removal is just as fast, simply move the release lever and pull the bag upwards
- + The robust Quick-Lock S mounting plate remains mounted to the bicycle
- + Low profile locking elements ensure snag free use
- + Internal stiffener
- + Reflective ORTLIEB logo
- + Maximum load 3 kg / 6.6 lbs.

Contents: Fork-Pack (205g/7.2oz; 230g/8.1oz) with QLS adapter plate (85g/3.0oz), mounting accessories, hardware and instructions

Optional accessories: QLS Mounting-Set Fork-Pack (Art. E235) e.g. for use on a second bike; Fork-Pack Adapter 45° to 30° (No. E240) for adjusting the mounting angle of the QLS bracket on specific bicycle front forks

Attention:

- + Not suitable for mounting to carbon forks without „braze-on“ eyelets, tapered fork blades or frame tubes
- + If the product is completely submerged, water can penetrate through the closure

Note: In order to meet standard IP64 (6=dustproof, 4=protected against splash water coming from all directions) the roll closure must be rolled at least 3-4 times. Once submerged, the bag is not waterproof.

ORTLIEB Sportartikel GmbH · Rainstrasse 6 · 91560 · Heilsbronn, Germany · T +49 9872 800-0 · F +49 9872 800-266 · E info@ortlieb.com · www.ortlieb.com

Infos on IP-symbols: www.ortlieb.com/us/service/technical/ip-symbols/ Fork-Pack_BP